



PROTECT

combined with active carbon



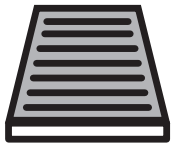
FOR  
BMW

M3 (E90/94) A/C+ (10/06 >)

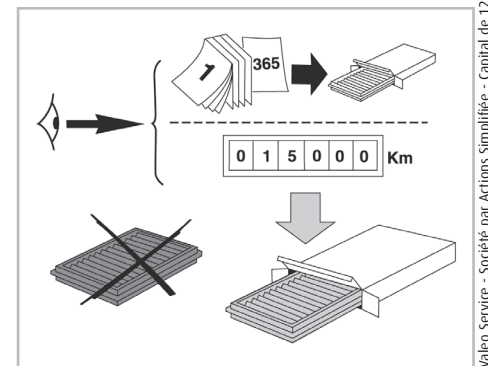
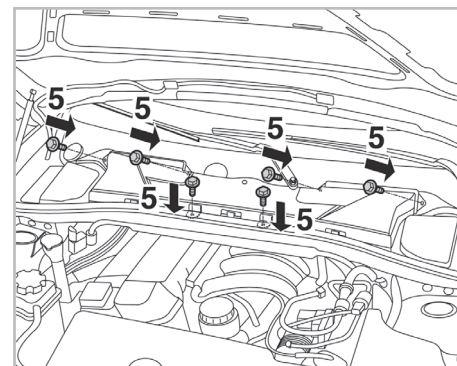
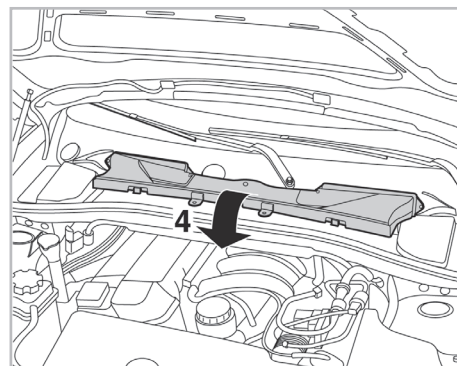
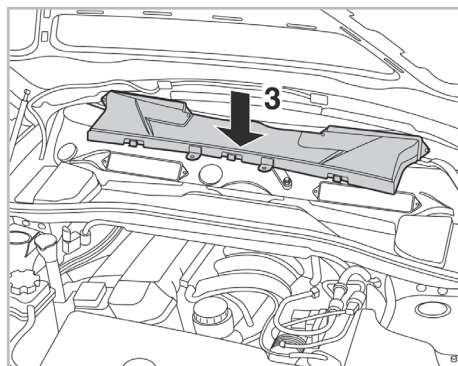
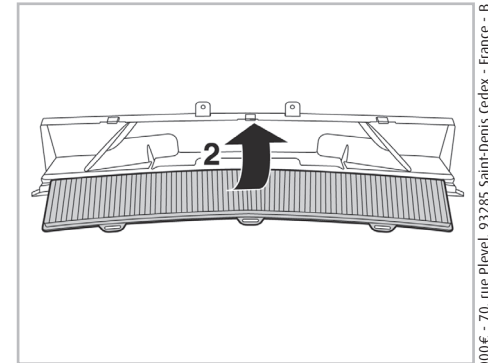
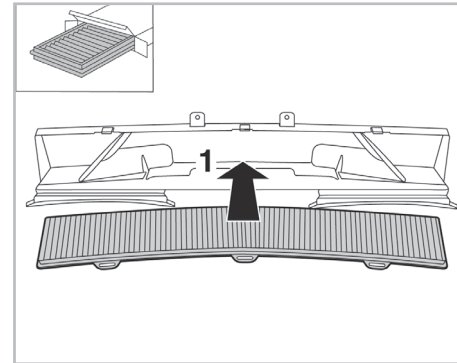
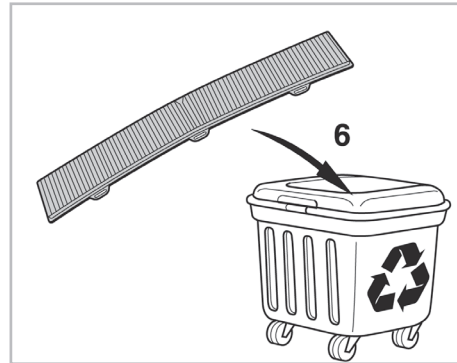
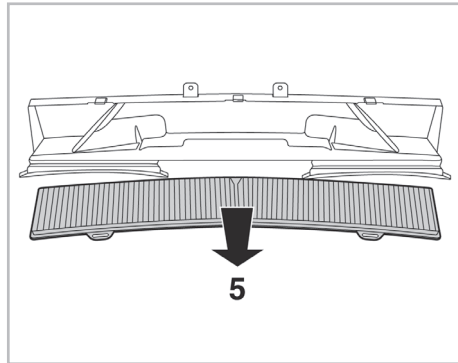
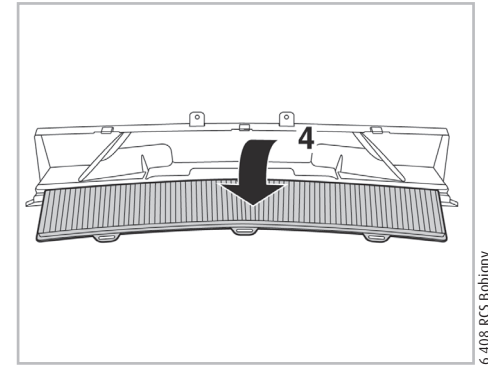
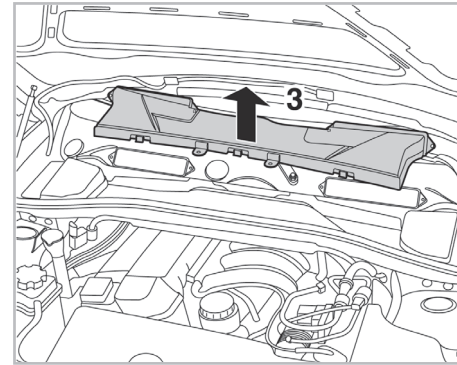
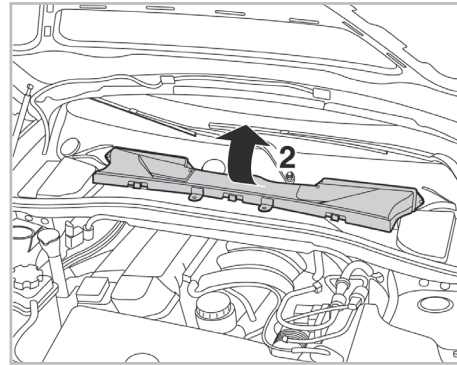
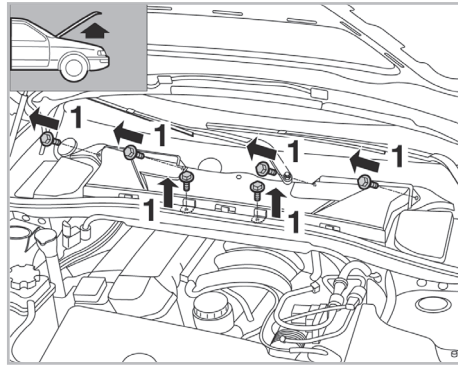


715712

FH345



CA



WANT TO KNOW MORE?



www.valeo-techassist.com

Valeo Service - Société par Actions simplifiée - Capital de 12 900 000€ - 70, rue Playel, 93285 Saint-Denis Cedex - France - B 306 486 408 RCS Bobigny